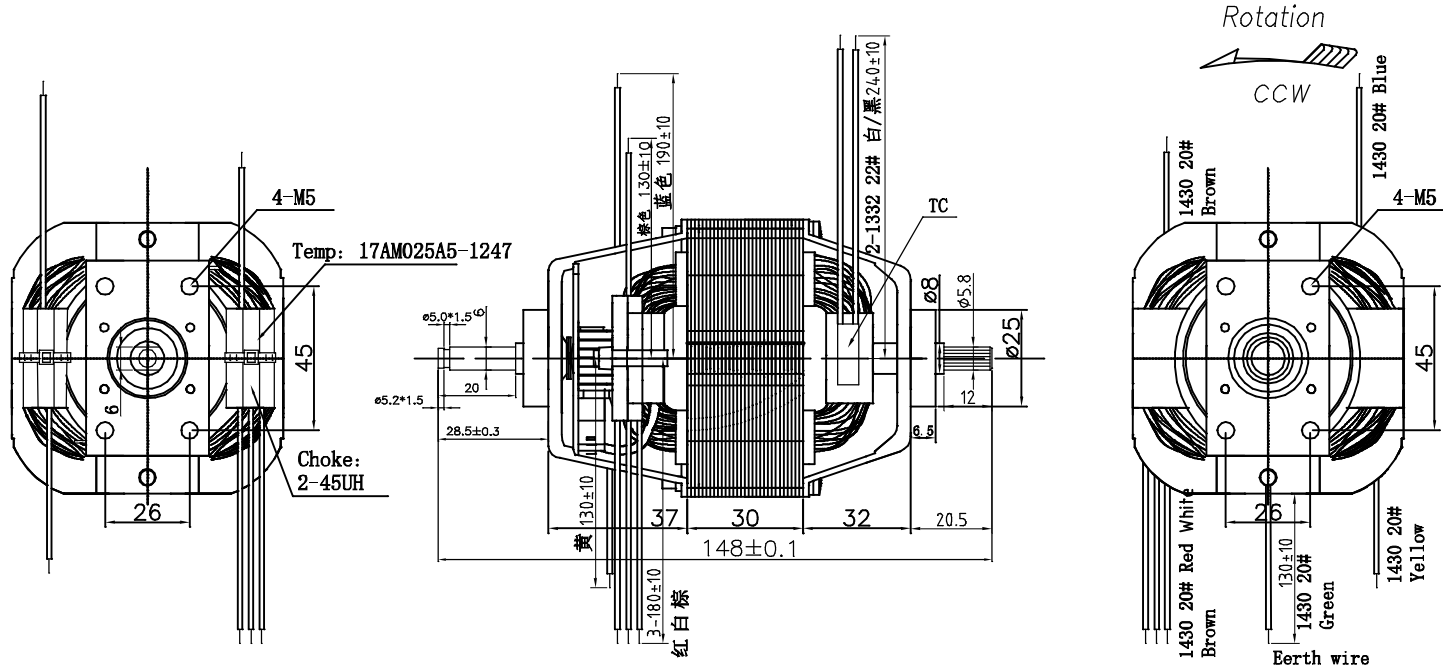


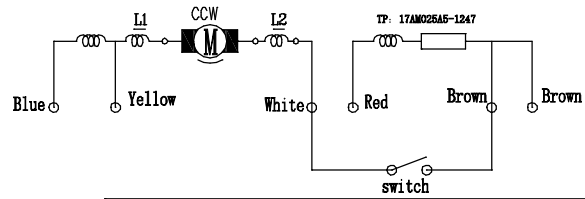
Rohs Compliance

REV	DESCRIPTION	DATE	BY



- Notes:
- Voltage with Frequency (电压和频率): 220V/60Hz
 - Rotation (转向): CCW
 - No-load Performance (空载性能)
 - No-load Speed (空载转速): 24500 ± 15% RPM
 - No-load Current (空载电流): 0.53 ± 15% A
 - No-load Power (空载功率): 120 ± 15% W

CIRCUIT DIAGRAM:



Label content:
 OD-9830M220
 220V/60Hz
 MADE IN CHINA

GENERAL TOLERANCES ISO 2768-m		DWN. BY GYZ	CHK. BY Adward	APP. BY
Permissible deviations for linear dimensions		Date (yyymmdd): 2016-8-18	Date (yyymmdd): 2016-8-18	Date (yyymmdd)
Permissible deviations for basic size range		MATERIAL:		
>0.5	>3	FINISH:		
...3	...6	General Tolerance ISO 2768-1 Class m (Unless specified)		
...30	...120	ALL DIMENSIONS ARE IN MILLIMETRES		
...400	...1000	TITLE		
m	±0.1	OD-9830M22		
Permissible deviations for angular dimensions		DWG NO.		
Permissible deviations for broken edges (external radii chamfer heights)		9830M22		
Permissible deviations for ranges of lengths in millimeters of the shorter side of the angle concerned		SHEET 1 OF 1		
Permissible deviations for basic size range		A4		
Permissible deviations for broken edges (external radii chamfer heights)		SCALE 3:1		
Permissible deviations for basic size range		NOT SCALE		
Permissible deviations for broken edges (external radii chamfer heights)		SHENZHEN ODIN IMPORT AND EXPORT CO., LTD		
Permissible deviations for basic size range		9830M22		
Permissible deviations for broken edges (external radii chamfer heights)		A		