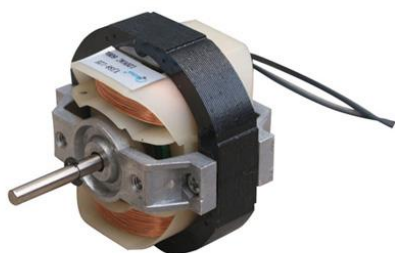


# Shaded Pole Motor TW-58 series

Output Power: 1.0 ~20.0 W (Approx)

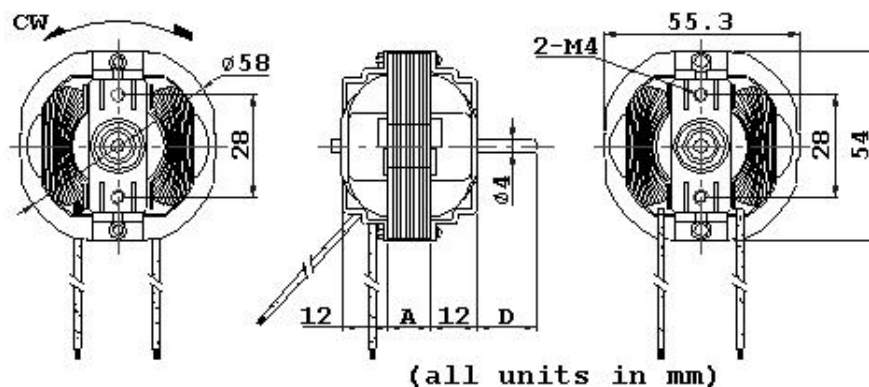


## MAIN APPLICATION:

- ※ Ventilator
- ※ Heater
- ※ Hand Dryer

## FEATURES:

- ※ Shaft diameter can be:  $\varnothing 4.0\text{mm}$ ,  $\varnothing 5.0\text{mm}$ . Shaft length can be any as customers' needs.
- ※ Stator height can be any from 8mm to 40mm to reach different power.
- ※ Brackets can be either metal or aluminum. Its height can be changed.
- ※ Motor rotation direction can be CW or CCW.
- ※ EMC components are available for anti electromagnetic interference. TCO (thermal cut-off) is also available for over heating protection.



## ELECTRICAL SPECIFICATION CHART: (The specifications can be changed as customers' requirement)

MODEL	RATING		FREE LOAD		ON LOAD					RMKS
			CURRENT	SPEED	INPUT	OUTPUT	SPEED	TORQUE	CURRENT	
	VOLT	HZ	A	RPM	W	W	RPM	G.CM	A	
TW-5812M22	220	50	0.079	2700	14.50	1.30	2120	60	0.085	
TW-5812M12	120	60	0.180	3300	17.50	1.75	2150	80	0.210	
TW-5816M22	220	50	0.113	2800	17.00	1.56	2500	60	0.117	
TW-5816M12	120	60	0.250	3400	22.30	2.70	2650	100	0.272	
TW-5820M22	220	50	0.083	2820	14.30	2.40	2350	100	0.098	
TW-5820-2M22	220	50	0.070	2830	13.50	2.26	2200	100	0.090	TWO SPEEDS
			0.060	2830	10.90	1.74	1700	100	0.080	
TW-5825M22	220	50	0.145	2800	17.50					